

Small PIR Sensor Module

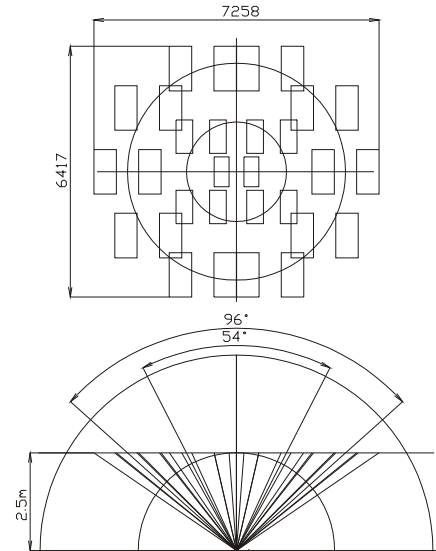
MS-400 Series – PIR Module with lens

RoHS compliant !

MS-400 Series are small PIR Sensor modules, that combine a pyroelectric infrared detector, sensor circuitry with its own lens.



Detection Area



Features

- Newly developed small lens combined with PIR sensor, OP-amp, and Comparator.
- 14.3mm in diameter, 15.9mm high.
- Can be installed on printed circuit boards directly with 3 reeds.
- Selectable in white and gray color lens.

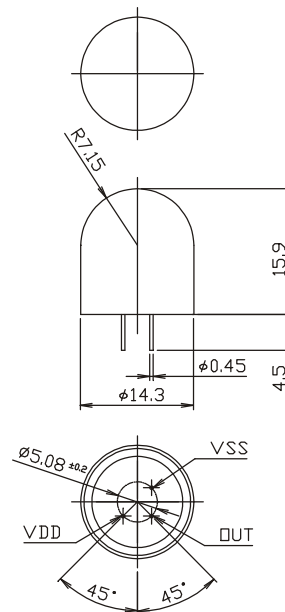
Applications

- Automatic lighting switches.
- Safety systems.
- Intruder alarms.

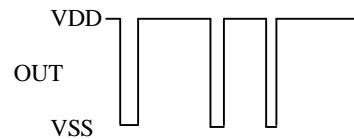
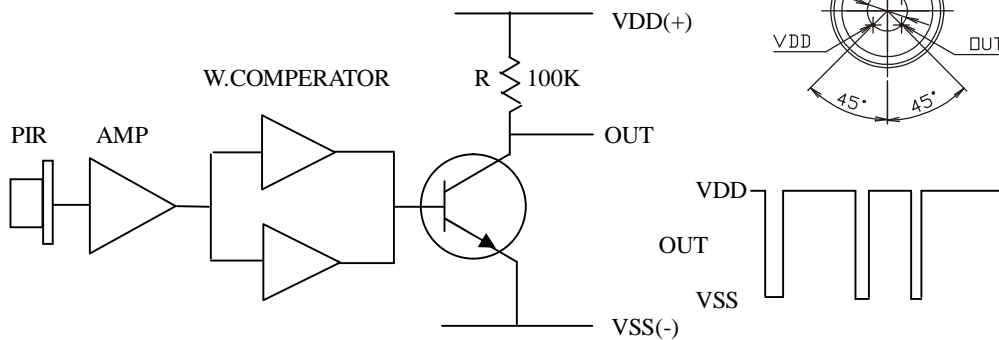
Characteristics

	MS-401	MS-402
Power Supply Voltage	4.5V ~ 5.5V	3.0V ~ 5.5V
Power Consumption	1.2mA TYP	120 μ A TYP
Operating temperature	- 10 ~ + 50	- 10 ~ + 50
Output	Comparator out Active : Low	Comparator out Active : Low
Output current I sink	min6mA, typ16mA	min6mA, typ16mA

External Dimensions (mm)



Circuit Diagram



Fuji & Co.
N.1-4-6, Kawaramachi, Chuo-Ku,
Osaka, 541-0048, Japan
Email: fuji-piezo@mb.newweb.ne.jp